

Monteringsanvisning, ConSet 3 søjlet 501-11 med centerben i højre side Mounting instruction, ConSet 3 column 501-11 desk with right side center leg

Forberedelse af søjler til hovedbord:

Ombyt 2 skruer med 2 møbelstag i højre og venstre søjle.

OBS: Vær sikker på, at møbelstagene kommer igennem yderste metalplade i søjlerne.

Preparing the legs for main table:

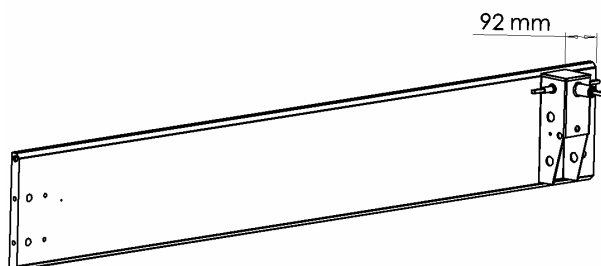
Change 2 screws in each leg to 2 furniture fittings.

OBS: Make sure the 7mm diameter of the furniture fittings goes through the front plate



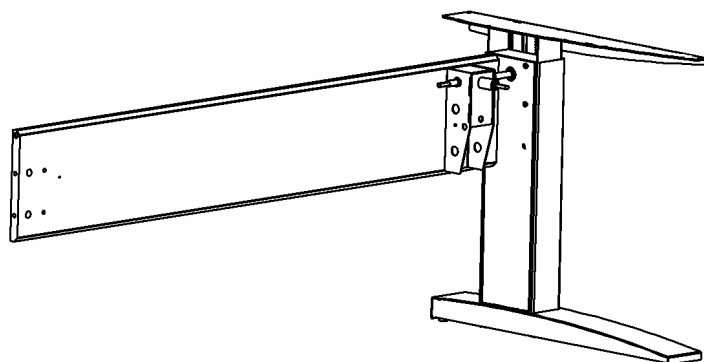
Vinkelgearet skrues på frontplade for hovedbord

The angle gear is screwed onto the main front plate



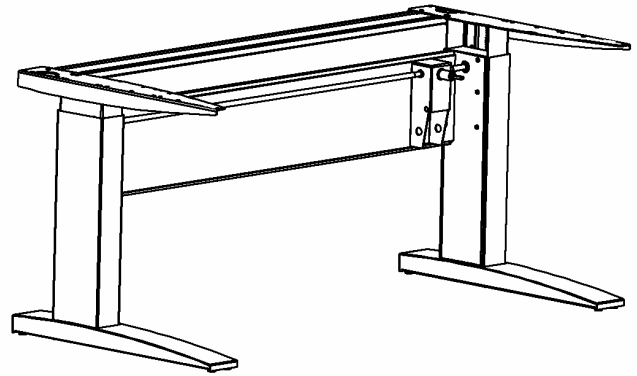
Frontplade med gear samles med højre søjle, husk trækstang mellem gear og søjle

The front plate included gear is connected to the right side leg, remember carrier tube between gear and leg



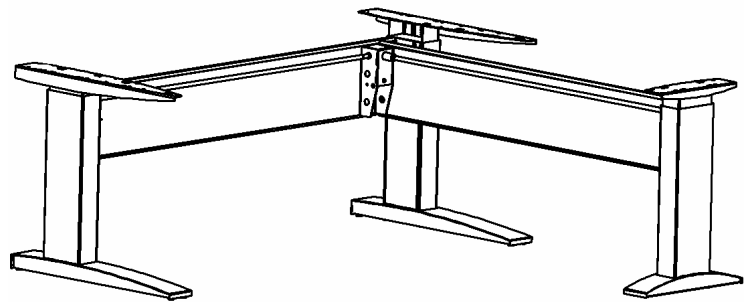
Venstre søjle monteres på frontplade.
Trækstang mellem gear og venstre søjle
monteres samtidigt.
Bagerste øvre travers monteres mellem søjler

The left leg is connected to the front plate.
Carrier tube between gear and left leg is
assembled at the same time.
Upper travers is mounted.



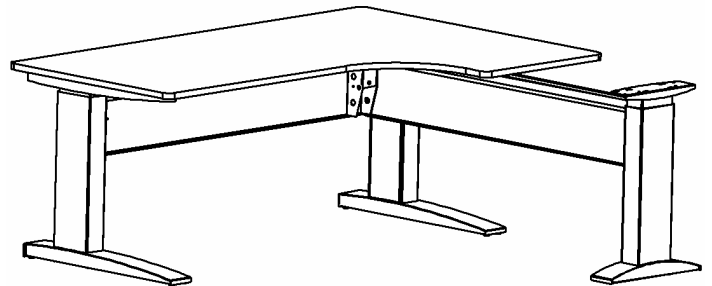
Frontplade for centerben, centerben samt
trækstang for denne monteres.

Frontplate for center leg, center leg and the
needed carrier tube is assembled



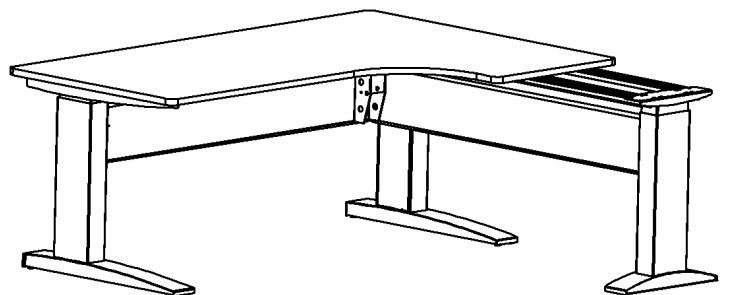
Bordplade skrues fast til stellet med:
spånpladeskruer i de 8 huller tættest søjlerne

The main tabletop is fixed to the frame with:
8 pcs. wooden screws, which is placed in the
holes closest to the column



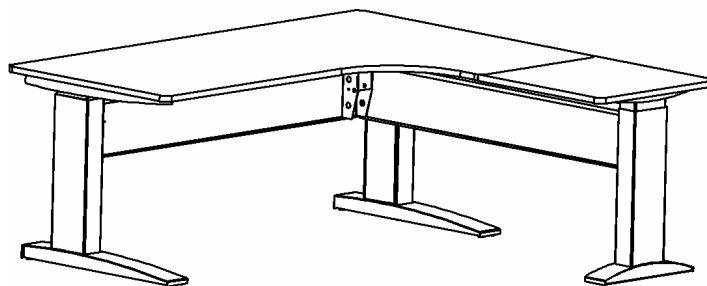
Øvre traverser for centerben monteres

Upper traverses for center leg is mounted



Tillægsplade placeres på traverser og skrues fast. Inden dette gøres kontrolleres det, at de to frontplader står vinkelret på hinanden

The add-on tabletop is placed on the upper traverses and fixed to the frame. Check that the 2 pcs. front plates are standing at right angles to each other before fixing the tabletop



Øvre forreste travers for hovedbord monteres

Upper travers for main tabletop is mounted

