

MOUNTING INSTRUCTIONS

CONTROL PANEL FOR 501-11

R103521

IMPORTANT

Make sure to unplug the table before starting this operation

HOW TO:

1. Disassemble the table and place the left column (power leg) on a flat surface.

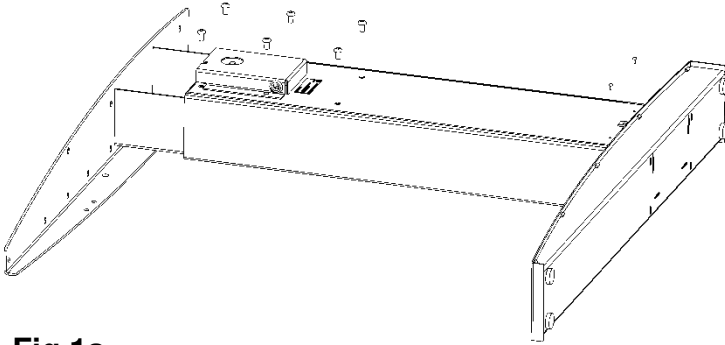
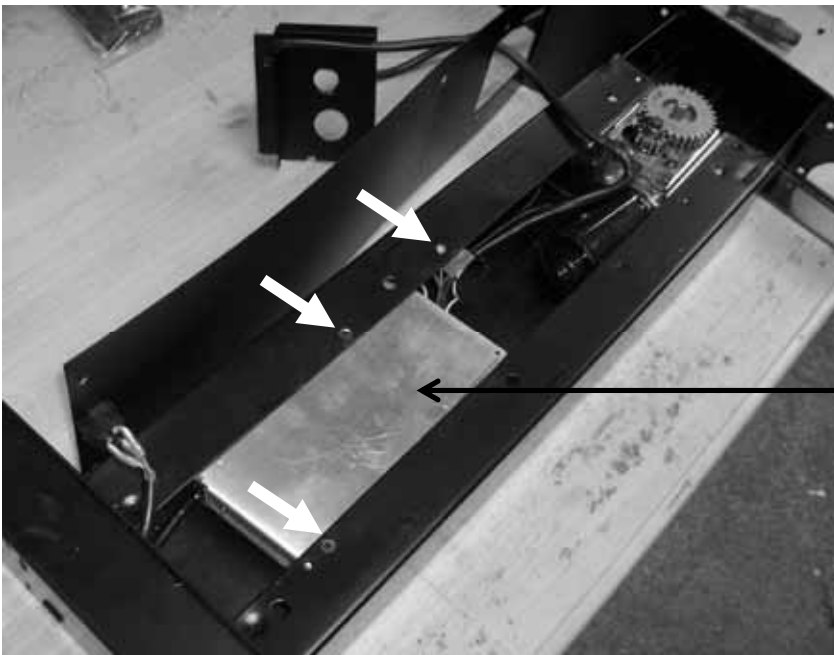


Fig.1a



Fig.1b NEW CONTROL PANEL

2. Remove the 6 hexagon socket screws as well as the 2 screws at the bottom of the leg (Fig. 1a)
3. Remove the 2 covers
4. Remove the 3 screws marked with arrows on Fig. 2



Power supply

Fig. 2

5. Pull out the power supply and turn it around
6. Cut the wire of the defect control panel and pull it out of the gear cover (Fig. 3)

MOUNTING INSTRUCTIONS

CONTROL PANEL FOR 501-11

R103521



Gear cover

Control panel wire

Fig. 3

7. Disconnect the 6 small wires of the defect control panel one by one, every time making sure to connect the wires of the new control panel to the same terminal (Fig. 4)

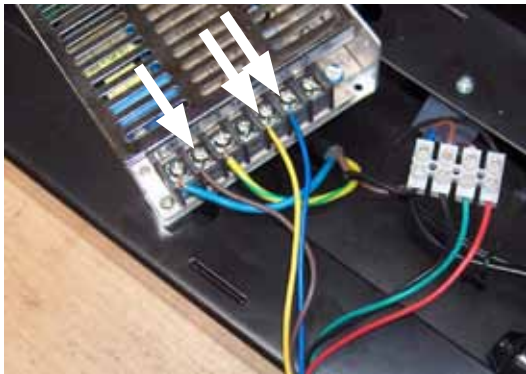


Fig. 4

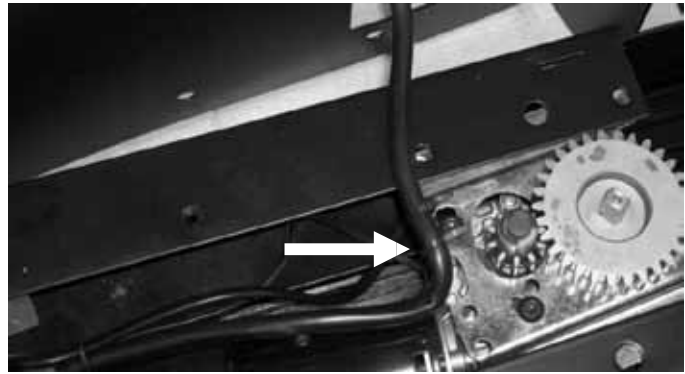


Fig. 5

8. Remove the rest of the defect control panel
9. Tighten the new control panel to the gear using 2 binding strips (Fig. 5)
10. Assemble the rest of the parts backwards of the way the disassembly was done
11. Run the leg to its maximum stroke and connect the wire of the new control panel to the upper part using 2 binding strips (Fig. 6)

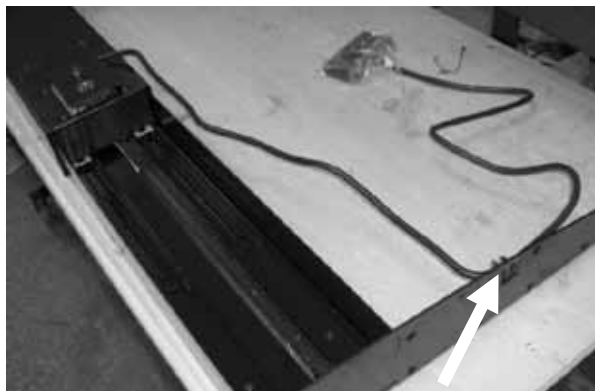


Fig. 6

12. The table frame is now ready for re-assembly

NEED HELP?

Contact us on conset@conset.com
for further assistance