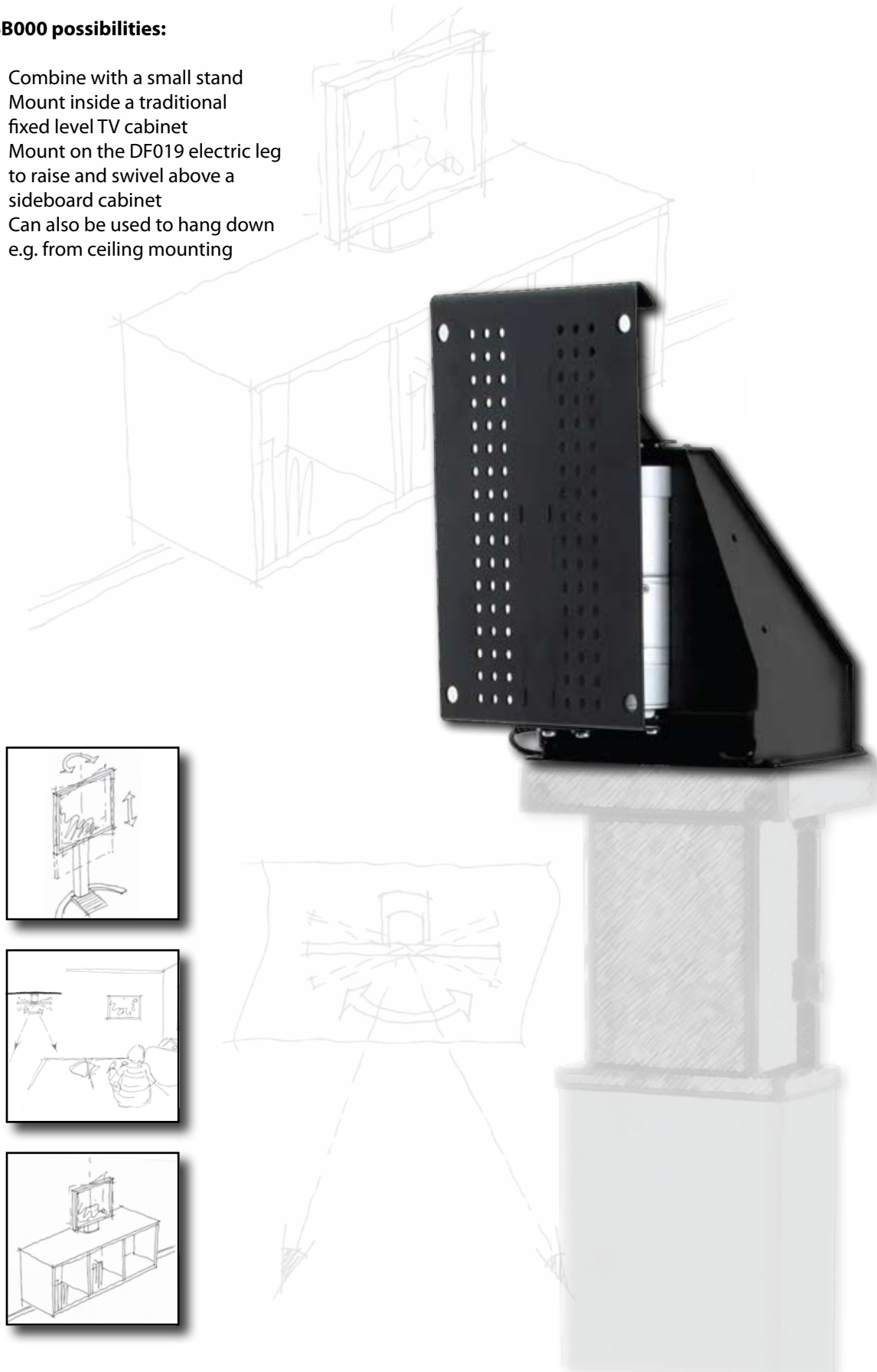


# Swivel bracket SB000

Control the angle of your flat screen TV with this electric remote control swivel bracket. Simply adjust your TV angle to face wherever you sit in the room +/- 45 degrees.

## SB000 possibilities:

- Combine with a small stand
- Mount inside a traditional fixed level TV cabinet
- Mount on the DF019 electric leg to raise and swivel above a sideboard cabinet
- Can also be used to hang down e.g. from ceiling mounting



# Swivel bracket SB000

## Component specifications

Metal sheet parts:	St. 37-2
Gear parts:	St. 70-2
Gear motor:	FUI 24V 110040
Power supply:	90W AC SMPS Power Transformer
Consumption:	2 Watts; Standby: 0,01 Watts
Plastic components:	POM, PEHD, ABS
Surface treatment:	Visible metal parts powder coated in RAL 9004 (black) Non visible metal parts are surface treated (e.c. zinc plated)
Remote control:	Radio wave remote control (will also operate leg DF019 when used combined)
Angle of swivel:	+/- 45 degrees
Weight capacity:	50 kg

The unit are powder coated in RAL 9004 (black).

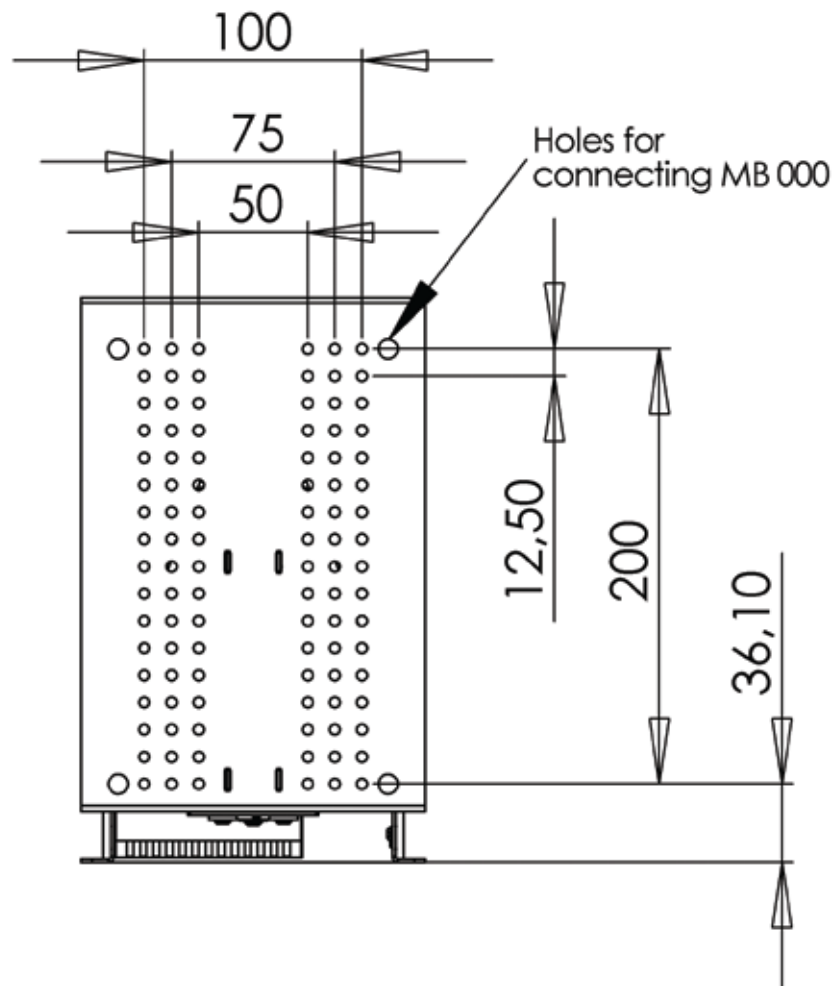
Fits for Vesa std.:

50x50

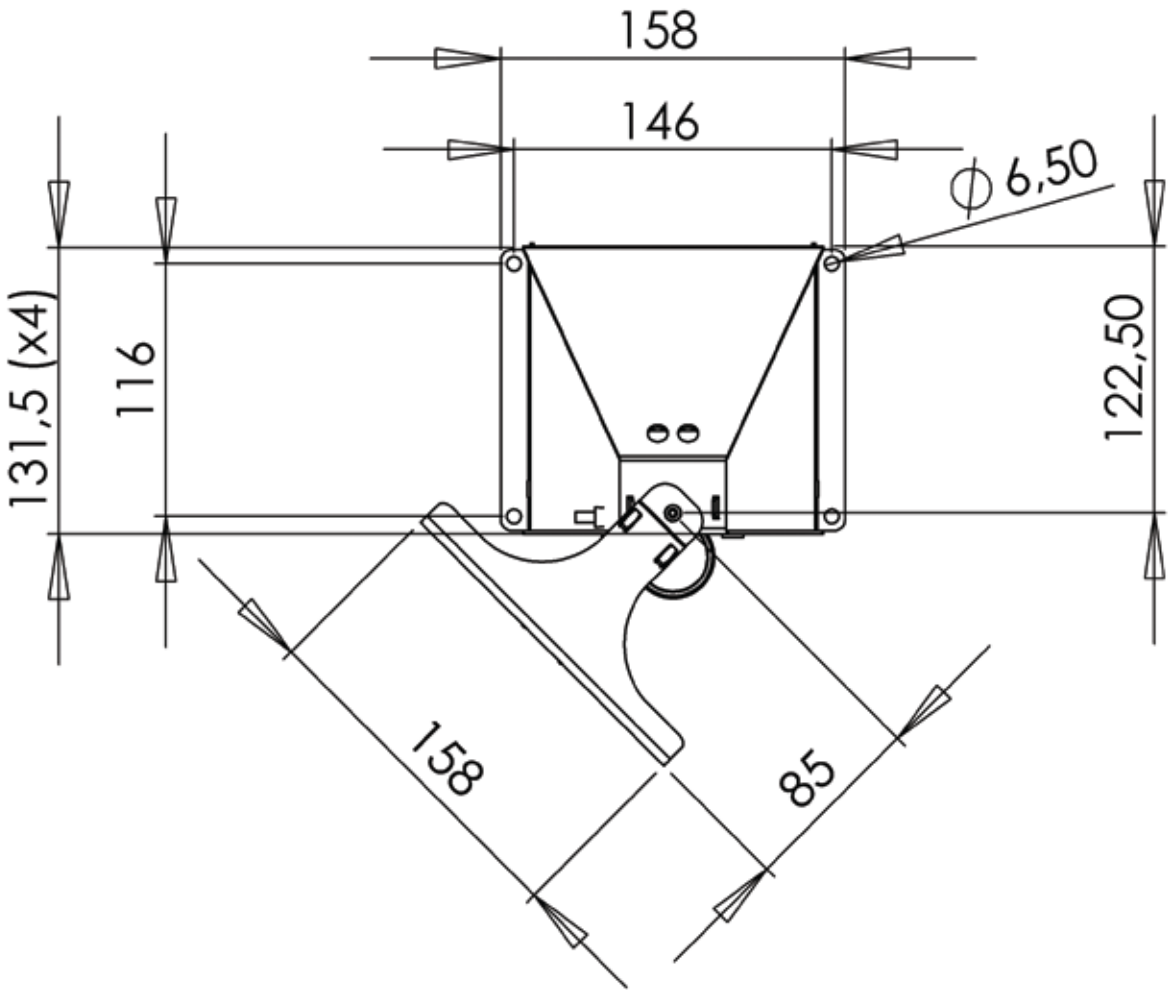
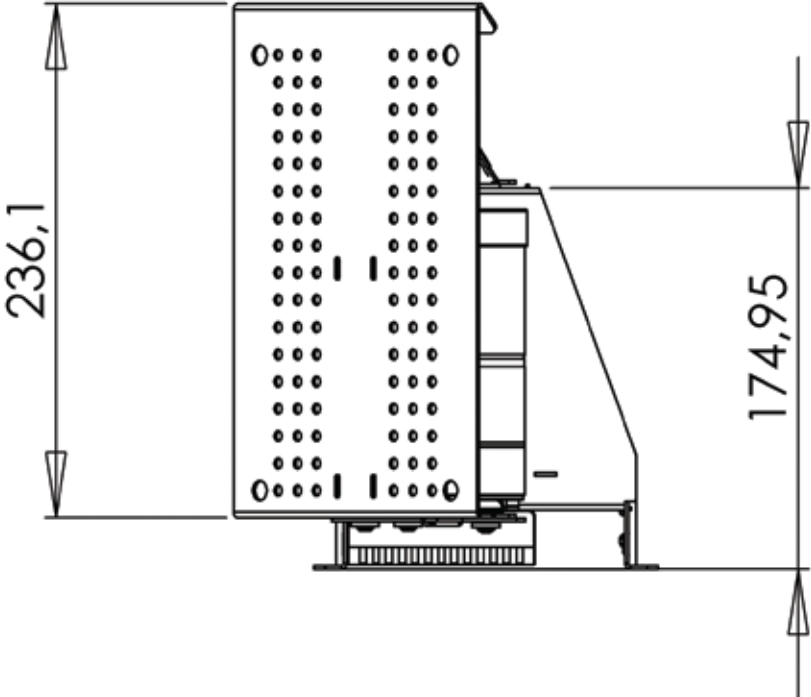
75x75

100x100

100x200



# Swivel bracket SB000

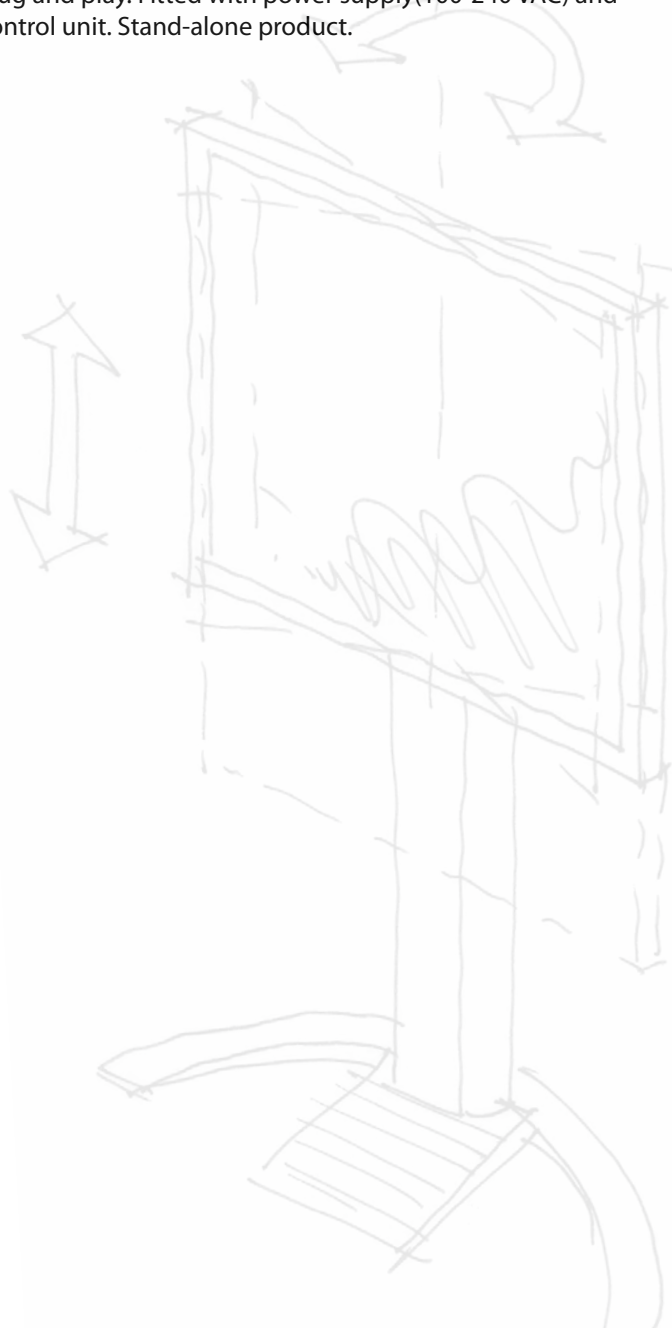


## Accessory for SB000: DF019

This column is the solution for the furniture producer, who wants to design and produce their own height adjustable systems. Extremely rigid construction in all load directions. Easy to fit in because of M6 treads at both ends.

The column is movable in the height range 66-118cm.  
Powder coated in RAL9006. (Telescopic part comes in black)

Plug and play. Fitted with power supply(100-240 VAC) and control unit. Stand-alone product.



## Accessory for SB000: MB000

Plasma/LCD mounting arms.

Color: Black

Weight capacity 100 kilos.

Fits Vesa std.:

200x200

400x100

400x400

600x200

600x400

