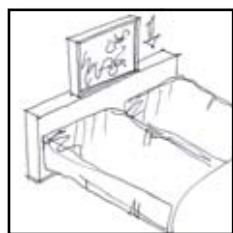
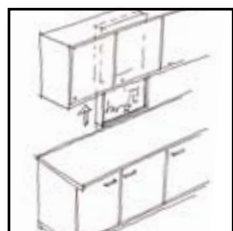
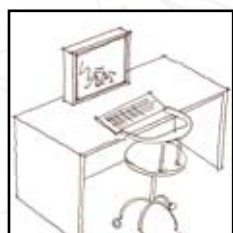


## TV-lift TS460

The TS460 is a small all-round Electric Flat Lift. Usable in many kind of products such as kitchen cupboards, bed ends, office furnitures, campers, speedboats and more.



# TV-lift TS460

## Component specifications

Metal sheet parts: St 37-2  
Gear parts: St 70-2  
Gear motor: CSE 24V 300047  
Power supply: 100 W AC SMPS Power Transformer  
Consumption: 100 Watts; Standby: 0,01 Watts  
Plastic components: PEHD, POM  
Surface treatment: Visible metal parts powder coated in "alu" colour.  
Non visible metal parts are surface treated (e.g. zinc plated)

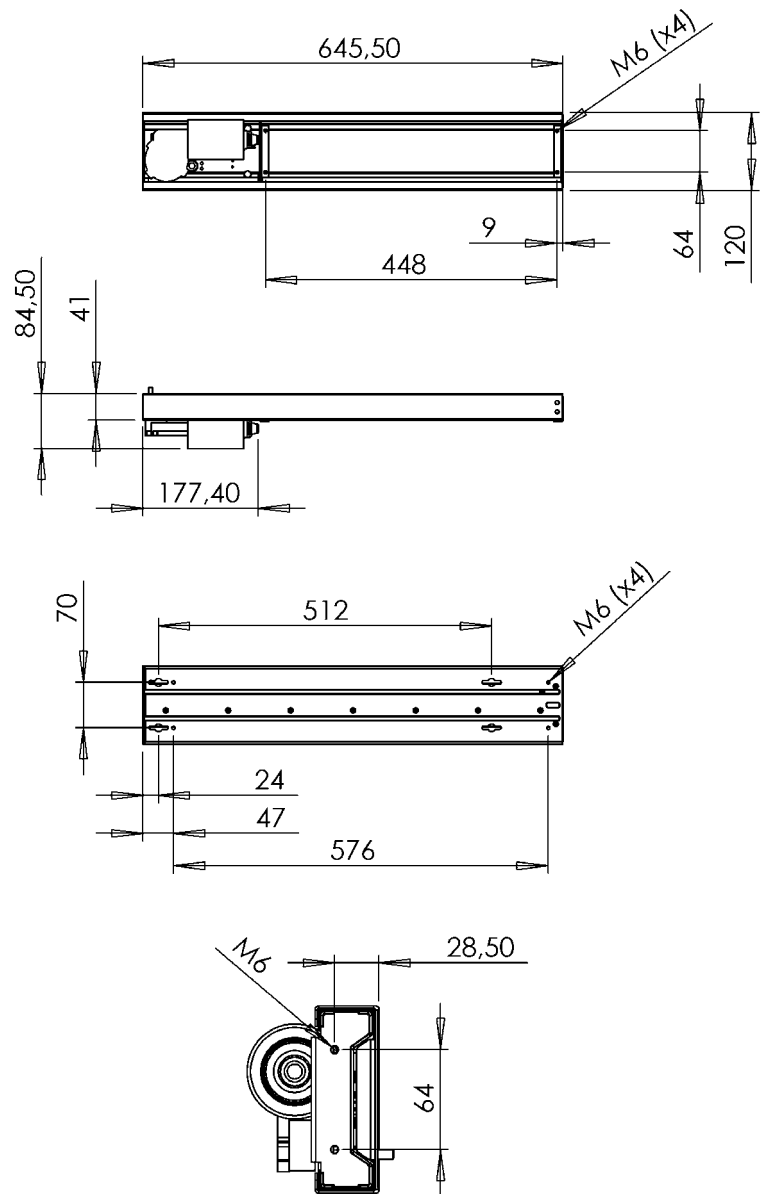
Lifting capacity: 50 kg  
Height: 64,5-110,5 cm  
Depth: 4 cm  
Speed: 25 mm/sec

After installation of the mechanism, the electrical components can be connected.

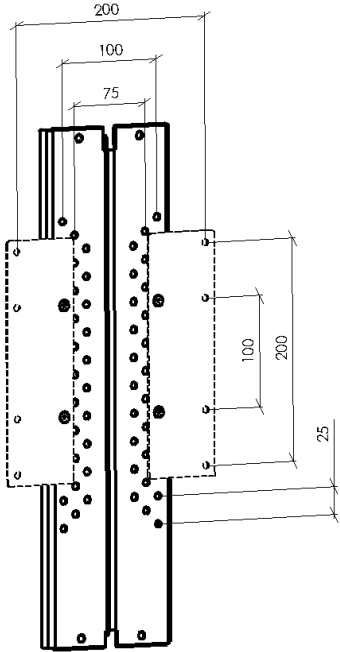
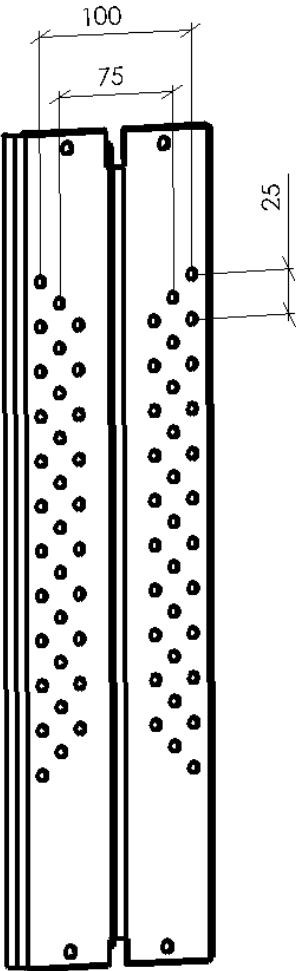
All wires have DC jacks and since using different types (size- male/female) only the correct connection will be possible to make.

The mechanism will now be possible to operate up and down using the supplied remote unit. Pushing "+" and the lift will expand.

Along with all products follows a "Direction for assembly and use" in which all needed information about the assembly is accessible.



# Accessory for TS460: Monitor bracket MB460



Plasma/LCD mounting bracket for use on TS460.  
Powder coated in RAL 9006 (alu-look). Weight capacity 50 kilos.

- Fits Vesa std.:
- 50x50
  - 75x75
  - 100x100
  - 200x100
  - 200x200

