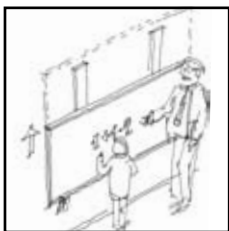
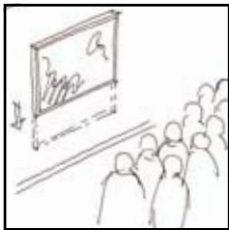
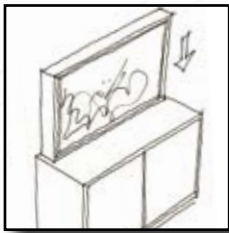


## TV-lift TS750

The TS750 electric TV Lift can be used as a high definition plasma TV lift, widescreen flat panel HD-ready plasma TV lift, widescreen plasma TV lift, HDTV LCD TV lift, wide screen HDTV LCD TV lift, widescreen HDTV-ready flat-panel LCD TV lift and that's not all.

The TV lift is powered with a Bosch gearmotor and can be operated with both a rocker switch and a remote control unit. Manufactured in China, warehouse in Denmark and China.



# TV-lift TS750

## Component specifications

Metal sheet parts: St 37-2  
Gear parts: St 70-2  
Gear motor: Bosch no. 0 390 257 685  
Power supply: 60 W AC Power Transformer  
Consumption: 60 Watts; Standby: 0,01 Watts  
Plastic components: PEHD, PA6, POM  
Surface treatment: Visible metal parts powder coated in black colour . Non visible metal parts are surface treated (e.g. zinc plated).  
Remote system RF signal operated (Radio frequency)

Stroke: 750 mm  
Lifting capacity: 100 kg  
Speed: 28 mm/sec

Fits Vesa Std.:

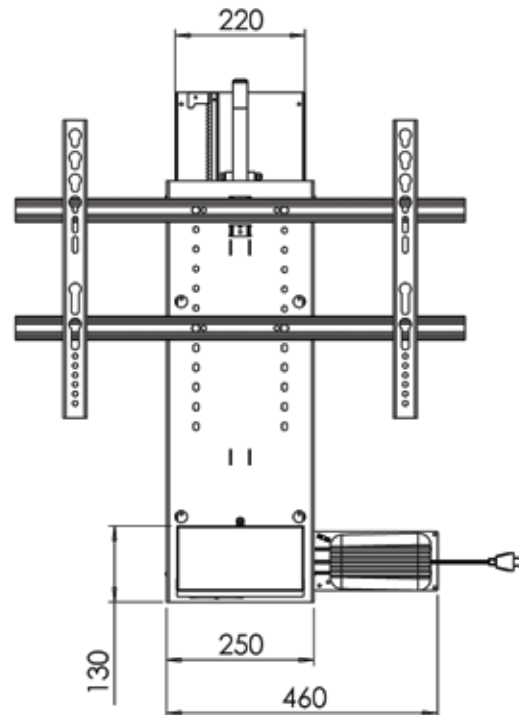
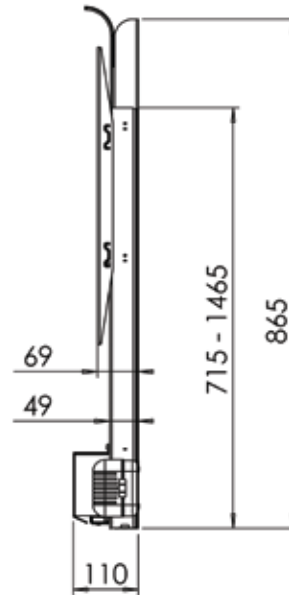
400x100  
400x400  
600x200  
600x400

After installation of the mechanism, the electrical components can be connected.

All wires have DC jacks and since using different types (size- male/female), only the correct connection will be possible to make. Along with all products follows a "Direction for assembly and use" in which all needed information about the assembly is accessible.

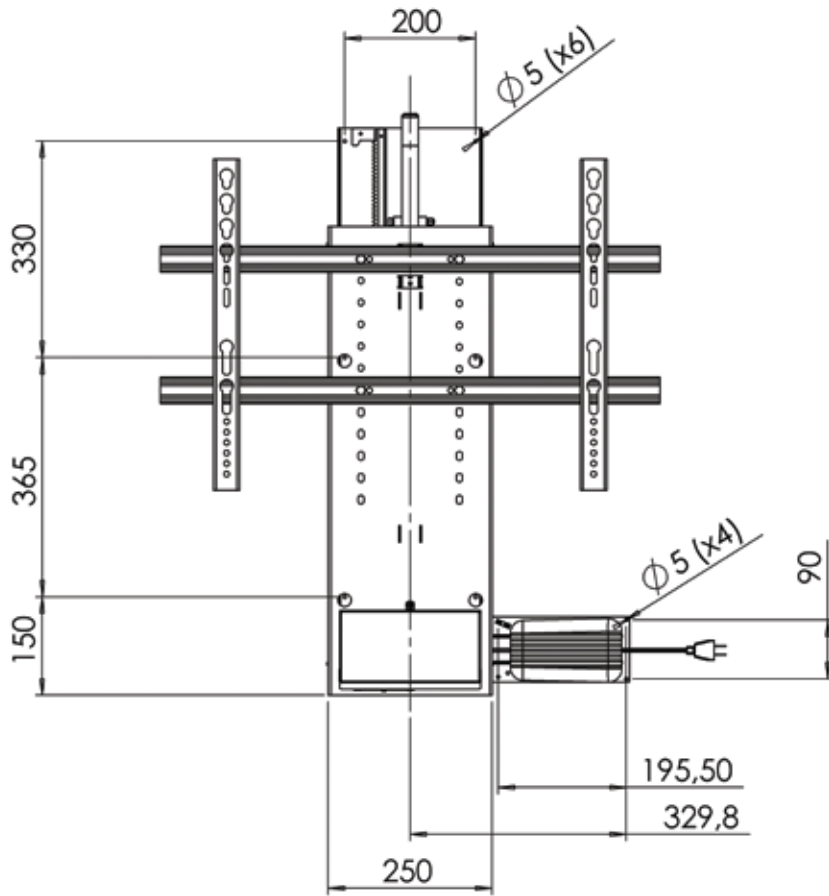
The mechanism will now be possible to operate up and down using the supplied remote unit - RF. Pushing "+" and the lift will expand.

Main measures:



# TV-lift TS750

Cabinet installation dimensions:



Plasma installation dimensions:

